

R Series

2.0/2.5T Diesel



CE CERTIFICATE



ISO14001

ISO14001: 2004



ISO9001

ISO9001: 2008

simple. Easy: **SERVICE**
 simple, comprehensive: **PANEL**
 strong, wide view: **MASTS**
 so much footroom: **DRIVER ROOM**

INTRODUCTION

The new generation R series forklift is combined with durability and ergonomics, providing productivity unmatched by other forklifts and the comfort for hours of tireless operation. Add friendliness to the environment, simple servicing, efficiency on the job, high standards of safety---it's the perfect tool for the most demanding application.

EFFICIENCY

Thanks to the long wheelbase design, the longitudinal stability of whole truck is much better, the hoisting capacity at same lift height are enhanced by an average of 100kg compared with former truck. At the same time, it prolongs work time of rear wheel as the reduced rear axle's load.

The travel speed of truck has been raised, for example, the 2-2.5t type comes to 20km/h.

Increasing the hard proportion of hydraulic pipe, adopting right angle connector or straight through connector, that reduce the pressure loss of pipeline, and raise the lifting speed of mast, the speed is increased by an average of 10% compared with former truck.

Turning radius and width of right angle stacking aisle are decreased through reducing the dimensions of whole truck, that raise the efficiency of storehouse.



SERVICING

Easy opened engine cover and one-touch removal of the floorboard get you right to service operation, and reduces down-time.

The reasonable arrangement of fuse and installation of instrument, enable the replacing for fuse and maintenance for instrument more easy.

ENVIRONMENT FRIENDLY

The environment friendly engines all meet related emission control regulation. The noise emission also comes up to EU standard.

The Metal hood and molding sound insulation matches environmental protection demands.

SAFE

A throttling device is set in pipe system, the mast won't result in falling control of mast even some pipes broke.

By using a built-in hood lock device, the safe level of the truck has been raised.



- The clearance between the steering axle and support rod can be adjusted, to improve the adaptability for ground.
- The pin of the tilt cylinder adopts a build-in grease fitting, which enables the greas fitting more dependable.
- The high performance specific tires for forklift trucks increase the work life of tires much more.

durable: **HYDRAULICS**
 clean, reliable: **ENGINES**
 progressive: **BRAKES**
 cool, smooth: **TRANSMISSION**

APPEARANCE

The latest appearance design method was used to create the R series fluent and aesthetic outline, that matches the latest appearance trend.

The large engineering plastic covering enables the whole truck looks friendly and natural.

TRANSMISSION & ENGINE

The transmission can be chosen among OKAMURA, NISSAN and HC (made in china with the Japanese technique), with advanced structure and dependable function. Among them, the OKAMURA transmission adopts advanced float type structure, which can achieve a flexible connection between engine and frame, the vibrations of transmission to the frame is reduced. The engine can be chosen among the TD27, C240, 4JG2, 4TNV94L diesel engine, with great power, economical fuel consumption and dependable functions.

OPERATION

Adopted advanced ergonomic technology optimizes the design of control system, improves the comfortable of operation much more.

Adopted advanced vibration-reduction technology designs each part's vibration reduction, reduces the whole truck vibration. Among them, the hood is designed to full floating type, and vibration reduction device for steering axle enables the operation more comfortable.



The torque converter models adopt electronic-hydraulic forward-reverse control technology, meaning less effort and less total time used during this often-performed function.

Adopted recently developed redirector decreases the steering wheel force to 6~8N only, that reduce 50% compared with former truck.

The grease fittings and bushes added around the shaft of control mechanism decreases the force of pedal, that are reduced 30% compared with former truck.

COOLING SYSTEM

Newly adopted combined type aluminum radiator improves the radiator cooling performance greatly.

Advanced heat dissipation technology improves heat dissipation channel, that enhances the truck heat dissipation capability further, the water temperature is reduced 15% compared with former truck.

CYLINDER

Oil seal rings used for tilting cylinder, lifting cylinder and turning cylinder all adopt the first class international product, the sealing performance has been proven through ten of thousands fatigue test.

The soft landing system for lifting cylinder decreases the level of noise and shock when the mast lowered to termination phase.

BRAKES

The 2-2.5t forklifts all adopt the new type drum brake. waterproof slot on the brake drum and framework oil seal on the axle tube avoid water or oil entering the brake drum, enable the dependability of brake to raise consumedly.

OKAMURA
transmission



OKAMURA
New floating type

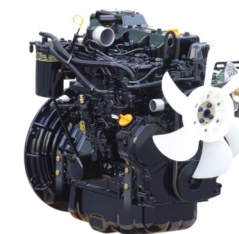
OKAMURA 2-3t T / M is Floating Types, The only one in China. Floating types are designed to reduce the transmission of vibrations to the chassis in small and mid-sized (1 to 5 tons) forlift trucks, thereby reducing operator fatigue and improving riding comfort. Specially-shortened design is ideal for this floating-type installation.

Compact design offers same dimensions as conventional integrated models.

May be coupled to the differential axles. Making installation, removal, and maintenance easy.



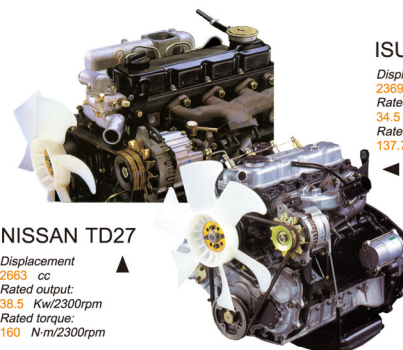
ISUZU 4JG2 PE-01
Displacement
3059 cc
Rated output:
44.9 Kw/2450rpm
Rated torque:
186.3 N-m/1700rpm



YANMAR 4TNV94L
Displacement
3054 cc
Rated output:
43 Kw/2500rpm
Rated torque:
205 N-m/1000rpm

ISUZU C240

Displacement
2369 cc
Rated output:
34.5 Kw/2500rpm
Rated torque:
137.7 N-m/1800rpm

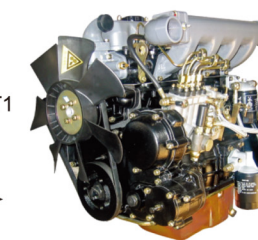


NISSAN TD27

Displacement
2663 cc
Rated output:
38.5 Kw/2300rpm
Rated torque:
160 N-m/2300rpm

XINCHAI A498BT1

Displacement
3168 cc
Rated output:
36.8 Kw/2400rpm
Rated torque:
186 N-m/1700rpm



Options

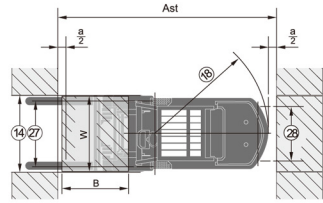
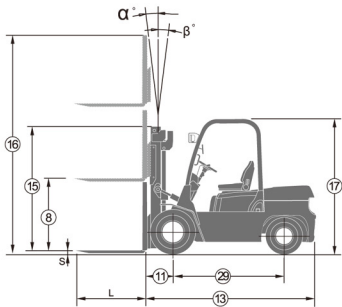
- 2.0-5.0m duplex mast
- 2.5-4.0m full free duplex mast
- 4.3-6.5m triplex mast
- Special carriage and backrest
- Other dimension forks
- Dual drive wheel with fender
- Solid tyre
- Non-marking tyre(white, green)
- Cabin
- Heater and air conditioner
- Fire extinguisher
- Semi-suspension seat or full-suspension seat
- Dual air cleaner or special air cleaner
- Rear working light
- Customer painting
- Auxiliary hydraulic valve modules
- High-mounted exhaust system
- Middle-mounted exhaust system
- Spark arrester
- Purified exhaust system
- Radiator screen
- Sideshifter
- Integrated sideshifter
- Other attachment

R series 2.0-2.5t Diesel forklift specification:

General		CHANGLIN													CHANGLIN												
		CPCD20N													CPCD25N												
		RW6	RW6B	RW10	RW10B	RW13	RW15A	RW27	RW32	RW33	RW33B	RG2	RG5	RW6	RW6B	RW10	RW10B	RW13	RW15A	RW27	RW32	RW33	RW33B	RG2	RG5		
1	Manufacturer	CHANGLIN																									
2	Basic model																										
3	Type																										
4	Power type	Diesel																									
5	Rated capacity	Kg																									
6	Load center	mm																									
7	Lift height	mm																									
8	Free lift height	mm																									
9	Fork size	LxWxT																									
10	Mast tilt range	F / R																									
11	Fork overhang(Wheel center to fork face)	mm																									
12	Rear overhang	mm																									
13	Overall dimensions	Length to face of fork																									
14		Overall width																									
15		Master lowered height																									
16		Master extended height																									
17		Overhead guard height																									
18	Turning radius(outside)	mm																									
19	Min. right angle stacking aisle width (Add load length and clearance)	mm																									
20	Speed	Travel (No load)																									
21		Lifting (Full load)																									
22		Lowering (Full load)																									
23	Max.Drawbar Pull (Full load)	N																									
24	Max.Gradeability (Full load)	%																									
25	Tyres	Front																									
26		Rear																									
27	Tread	Front																									
28		Rear																									
29	Wheelbase	mm																									
30	Ground clearance	Lowest																									
31		Wheelbase center																									
32	Self weight	Kg																									
33	Weight	Full load																									
34		Distribution																									
35	Battery	Voltage/Capacity(20HR)																									
36	Model	4TNV94L																									
37		C240PKJ-30																									
38	Rated output / r.p.m.	4JG2 PE-01																									
39		TD27																									
40	Rated torque / r.p.m.	A498BT1																									
41		4TNE92-HRJ																									
42	No. of cylinder	4TNE98-BOFLC																									
43		4TNE98-BOFLC																									
44	BorexStroke	C490BPG																									
45		A490BPG																									
46	Emission STD.	4TNV94L																									
47		C240PKJ-30																									
48	Displacement	4JG2 PE-01																									
49		TD27																									
50	Fuel tank capacity	A498BT1																									
51		4TNE92-HRJ																									
52	Manufacture	CHINA																									
53		OKAMURA																									
54	Type	CHINA																									
55		OKAMURA																									
56	Stage	CHINA																									
57		OKAMURA																									
58	Operating pressure	CHINA																									
59		OKAMURA																									

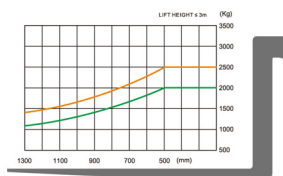
Note: * With suspension seat or cabin.
 1. Special lifting height available (2-stage mast: 2.5m, 2.7m, 3.0m, 3.3m, 3.6m, 4m, 4.5m. 3-stage mast: 4.3m, 4.5m, 4.8m, 5m, 5.5m, 6m) 2. Attachment available.
 3. The specifications in the table are for standard models only. For further information please contact us. 4. Specifications are subject to change without notice.

DIMENSIONS



a = 200 mm safety clearance
 $AST = a + 11 + 18 + \sqrt{W^2 + (B/2)^2}$

LOAD CHART



2.0 / 2.5t R series mast: (pneumatic)

Type	Model	Max. fork height	Overall height				Free lift		Front Overhang	Tilt range		Capacity			
			Lowered	Extended		Without backrest	With backrest	FWD		BWD	Load capacity at 500 mm				
				Without backrest	With backrest						Single tire		Double tire		
		mm	mm	mm	mm	mm	mm	Deg	Deg	2t	2.5t	2t	2.5t		
Wide view mast	N25M250	2500	1745	3135	3545	140	140	470	6	12	2000	2500	2000	2500	
	N25M270	2700	1845	3335	3745	140	140	470	6	12	2000	2500	2000	2500	
	N25M300	3000	1995	3635	4045	140	140	470	6	12	2000	2500	2000	2500	
	N25M330	3300	2145	3935	4345	140	140	470	6	12	2000	2500	2000	2500	
	N25M350	3500	2245	4135	4545	140	140	470	6	12	2000	2500	2000	2500	
	N25M360	3600	2345	4235	4645	140	140	470	6	12	2000	2500	2000	2500	
	N25M400	4000	2595	4635	5045	140	140	470	6	12	1900	2300	2000	2500	
	N25M430	4300	2745	4935	5345	140	140	470	6	12	1800	2100	1900	2400	
	N25M450	4500	2845	5135	5545	140	140	470	6	12	1700	2000	1900	2400	
	N25M480	4800	2995	5435	5845	140	140	470	6	12	1500	1700	1700	2100	
Wide view full free 2-stage mast	N25U250	2500	1810	3170	3545	1140	760	460	6	12	2000	2500	2000	2500	
	N25U270	2700	1910	3370	3745	1240	860	460	6	12	2000	2500	2000	2500	
	N25U300	3000	2010	3670	4045	1340	960	460	6	12	2000	2500	2000	2500	
	N25U330	3300	2160	3970	4345	1490	1110	460	6	12	2000	2500	2000	2500	
	N25U360	3600	2310	4270	4645	1640	1260	460	6	12	2000	2500	2000	2500	
	N25U400	4000	2560	4670	5045	1890	1510	460	6	12	1900	2300	2000	2500	
	N25N430	4300	2655	4955	5355	1370	1010	475	6	12	1700	2000	1900	2400	
	N25N450	4500	2755	5155	5555	1440	1080	475	6	12	1600	1900	1800	2300	
	N25N480	4800	2905	5455	5855	1540	1180	475	6	12	1500	1700	1700	2100	
	N25N500	5000	2995	5655	6055	1605	1245	475	6	12	1400	1600	1600	2000	
Wide view full free 3-stage mast	N25N550	5500	3245	6195	6555	1770	1410	475	3	6	1050	1200	1500	1800	
	N25N600	6000	3495	6735	7055	1990	1630	475	3	6	700	800	1400	1600	

With sideshifter minus 150Kg, with integral sideshifter minus 100Kg.